

82885T

Technical Brief

**Microsemi Adaptec 12 Gbps 36-port SAS
Expander Card**

08 2016



82885T 12 Gbps 36-port SAS Expander Card

The 12 Gbps Microsemi Adaptec 82885T SAS Expander Card offers 36 ports of connectivity in a low-profile MD2 form factor. The card supports up to x4 or x8 connections to a companion card (for example, HBA or RAID adapter), and can provide internal connectivity for up to 24 direct-attached SAS/SATA HDDs and/or SSDs and eight external ports for storage expansion.

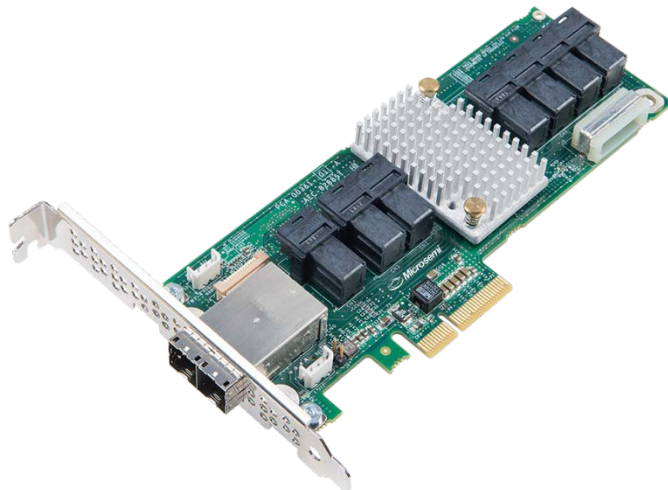
The 82885T is compatible with all Microsemi Adaptec Series 8, Series 7, and Series 6 RAID adapters and HBAs, third-party RAID adapters and HBAs, all HDDs and SSDs, and existing active and passive backplanes. It is also certified compatible with Microsoft Storage Spaces, allowing data centers to group together multiple storage devices of different interfaces and sizes in such a way that the operating system treats them as a single large disk.

The 82885T simplifies cabling and eliminates the need for costly external enclosures by mounting internally to any available PCIe slot, away from the backplane. The expander draws power from the PCIe slot (requires four or more lanes), but there is no data transfer to the slot. Power can also be supplied to the expander card through a standard 4-pin auxiliary power connector, keeping a valuable PCIe slot free.

The 82885T uses mini-SAS HD connectors for added cabling flexibility in dense server environments.

While all SAS expanders require power, the 82885T offers significantly lower power consumption than many competing solutions.

Figure 1 Microsemi Adaptec 82885T SAS Expander Card



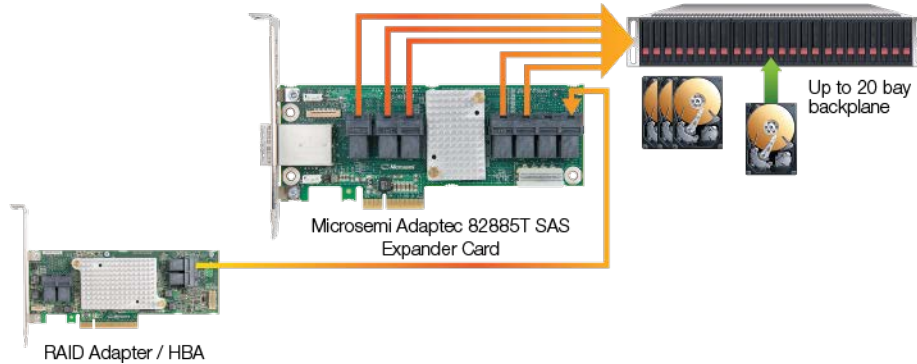
Microsemi Adaptec SAS Expander Card Use Cases

There are an assortment of ways today's server infrastructures can be configured. The four use cases identified below are some examples of the configuration flexibility this card provides.

Passive Internal Backplanes with SGPIO

The 82885T supports IBPI and SGPIO. The expander's internal ports can be connected to single or multiple passive backplanes, and one SGPIO target can support four SAS/SATA ports, as shown in the following illustration. The 82885T will display all connected passive backplanes as one SES2 enclosure to the RAID adapter or HBA.

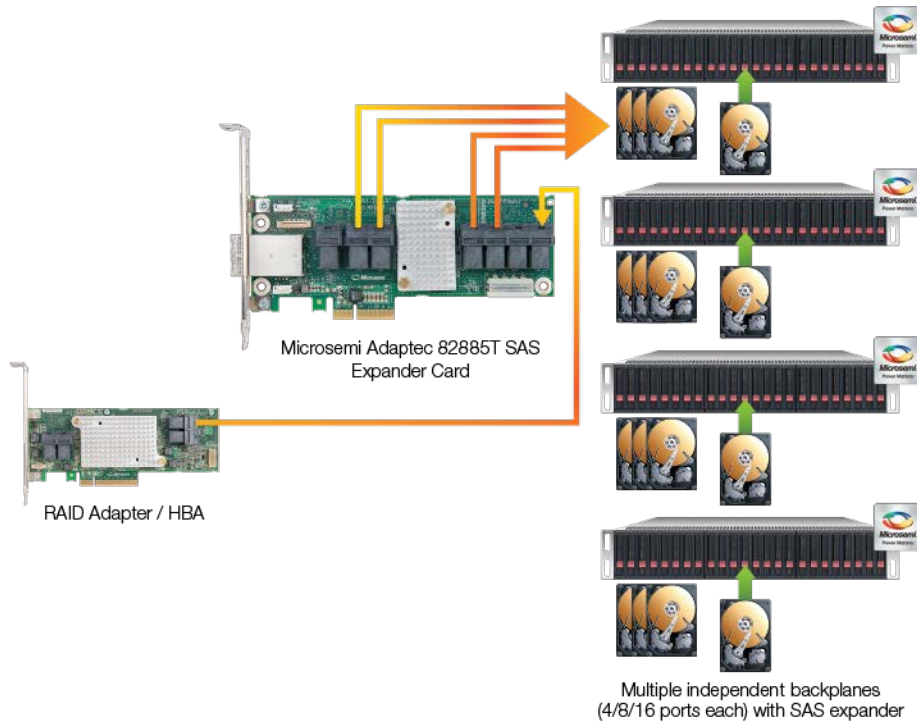
Figure 2 Passive Internal Backplanes with SGPIO



Internal Expander-based Backplanes with SES2 Support

The internal ports on the 82885T can be connected to single or multiple expander-based backplanes with support for up to four levels of expanders, as shown in the following illustration.

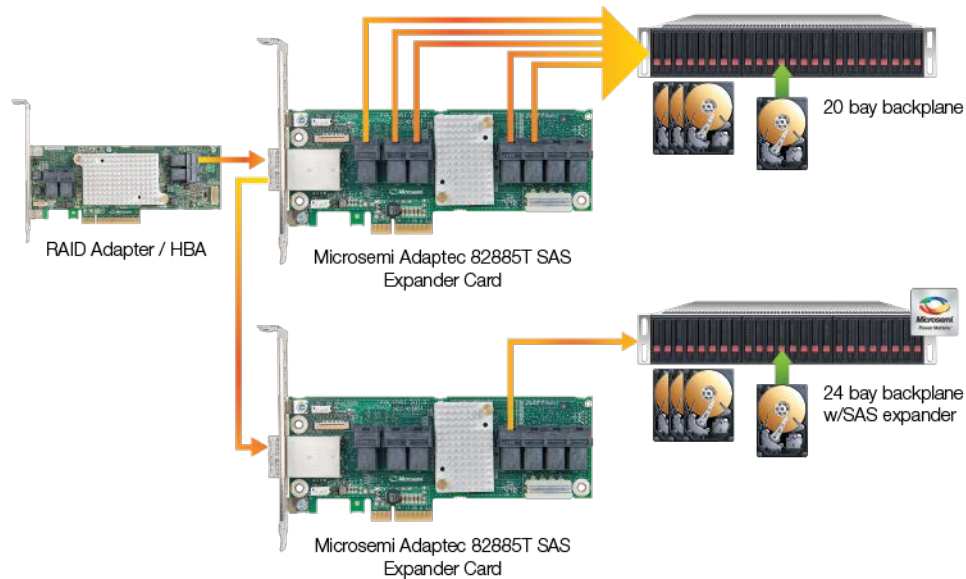
Figure 3 Internal Expander-based Backplanes with SES2 Support



Expander Card Used to Convert Chassis with Backplanes into Just a Bunch of Disks (JBOD)

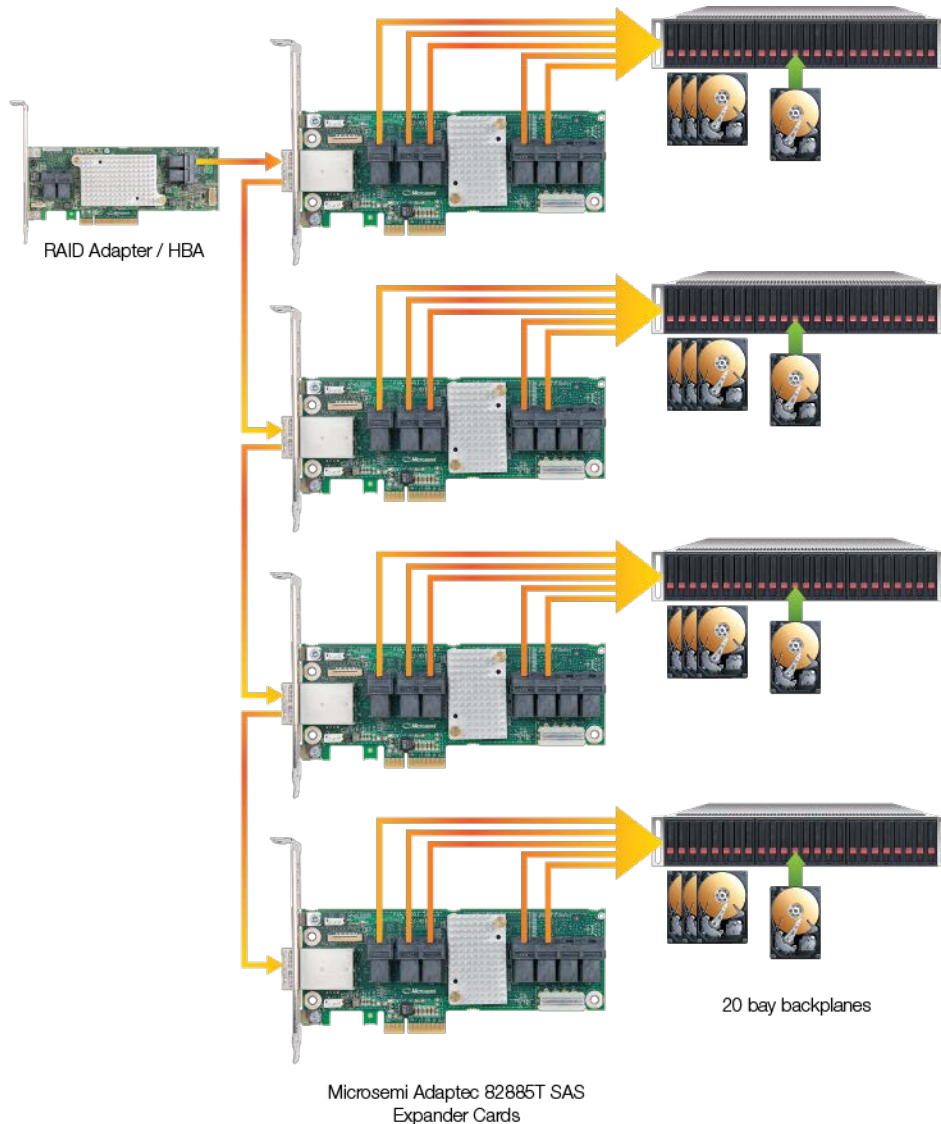
A cost-efficient server chassis with an internal backplane can be converted into a JBOD that is connected externally to a server through a RAID adapter or HBA, as shown in the following illustration. The internal backplanes can be passive using SGPIO/IBPI or active using SAS expanders and SES2. Multiple chassis can be daisy-chained with up to four cascaded expanders. Additionally, two 82885T units per chassis, with expander backplanes, can be used for fully redundant connections.

Figure 4 Expander Card Used to Convert Chassis with Backplanes into JBOD



Fanout to Multiple Backplanes

Ideal for cold storage or virtual tape library applications, this scenario gives each backplane its own expander and enables very large configurations with many devices connected to a single RAID adapter or HBA, as shown in the following illustration.

Figure 5 Fanout to Multiple Backplanes

Conclusion

The Microsemi Adaptec 82885T SAS Expander Card offers an ideal fanout solution for high-density storage server applications while enabling a passive backplane architecture in the server. It also provides for optional connectivity to external JBODs for even greater capacity expansion on a single SAS RAID adapter or SAS HBA.

The card is ideal for space-limited external storage infrastructures requiring direct connectivity to up to 24 internal ports for SAS adapter and/or SATA HDDs and SSDs with 12 Gbps bandwidth. Target applications include high I/O transaction and high bandwidth processing, solutions that reduce energy consumption and maintenance costs, and low-profile form factor.

**Microsemi Corporate Headquarters**

One Enterprise, Aliso Viejo,
CA 92656 USA

Within the USA: +1 (800) 713-4113

Outside the USA: +1 (949) 380-6100

Fax: +1 (949) 215-4996

Email: sales.support@microsemi.com

www.microsemi.com

©2016 Microsemi Corporation. All rights reserved. Microsemi and the Microsemi logo are registered trademarks of Microsemi Corporation. All other trademarks and service marks are the property of their respective owners.

Microsemi makes no warranty, representation, or guarantee regarding the information contained herein or the suitability of its products and services for any particular purpose, nor does Microsemi assume any liability whatsoever arising out of the application or use of any product or circuit. The products sold hereunder and any other products sold by Microsemi have been subject to limited testing and should not be used in conjunction with mission-critical equipment or applications. Any performance specifications are believed to be reliable but are not verified, and Buyer must conduct and complete all performance and other testing of the products, alone and together with, or installed in, any end-products. Buyer shall not rely on any data and performance specifications or parameters provided by Microsemi. It is the Buyer's responsibility to independently determine suitability of any products and to test and verify the same. The information provided by Microsemi hereunder is provided "as is, where is" and with all faults, and the entire risk associated with such information is entirely with the Buyer. Microsemi does not grant, explicitly or implicitly, to any party any patent rights, licenses, or any other IP rights, whether with regard to such information itself or anything described by such information. Information provided in this document is proprietary to Microsemi, and Microsemi reserves the right to make any changes to the information in this document or to any products and services at any time without notice.

About Microsemi

Microsemi Corporation (Nasdaq: MSCC) offers a comprehensive portfolio of semiconductor and system solutions for aerospace & defense, communications, data center and industrial markets. Products include high-performance and radiation-hardened analog mixed-signal integrated circuits, FPGAs, SoCs and ASICs; power management products; timing and synchronization devices and precise time solutions, setting the world's standard for time; voice processing devices; RF solutions; discrete components; enterprise storage and communication solutions; security technologies and scalable anti-tamper products; Ethernet solutions; Power-over-Ethernet ICs and midspans; as well as custom design capabilities and services. Microsemi is headquartered in Aliso Viejo, California, and has approximately 4,800 employees globally. Learn more at www.microsemi.com.

ESC-2160549